

ATTENTION: TRACK PAD SALES
 Superior Tire & Rubber Corp.
 40 Scientific Road
 Warren, PA 16365
 Tel: 800-289-1456 x 122
 Fax: 814-726-0740
 E-mail: trackpads@superiortire.com
WWW.TRACK-PADS.COM



ENGINEERING REVOLUTION™

CUSHOTRAC® Bolt to Shoe Track Pads for Single Bar Shoes

Machine Mfg. _____ Model # _____

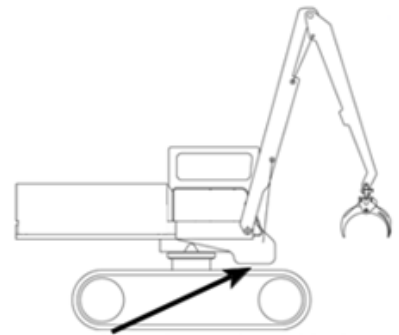
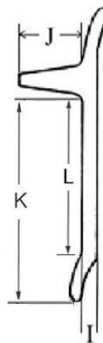
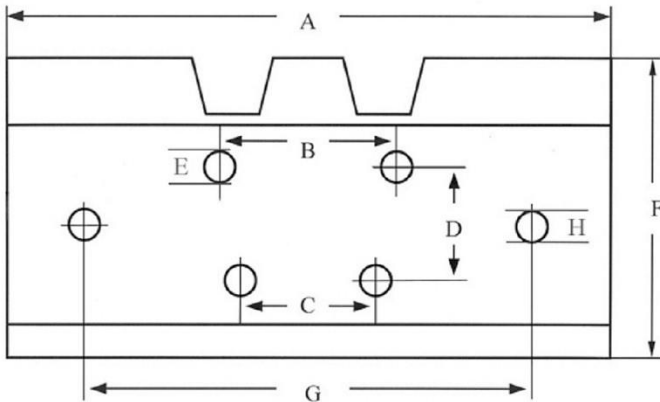
OEM Shoe Part # _____ QTY of Pads Required _____

APPLICATION OF MACHINE (Demolition, General Excavating, Utility Work, etc.): _____

Please fill in all dimensions as accurately as possible – this is what helps us determine the correct track pads for your machine!

Shoe Width: A _____
 Shoe Bolt Pattern (link): { B _____
 C _____
 D _____
 Track Bolt-Hole Diameter: E _____
 Shoe Length: F _____
 Existing Bolt Pattern for Pad: G _____

Pad Bolt Size: H _____
 Grouse Plate Thickness: I _____
 Grouser Bar Height: J _____
 Distance from Bar to Tang: K _____
 Flat Area from Bar: L _____
 Master Links (Y/N): M _____



Maximum clearance between the top of the steel shoe and the body/attachment of the machine

O: _____

Compound Requested: Rubber Polyurethane - (We will help recommend the correct compound)

Name: _____ Company: _____

Tel: _____ Fax: _____ EMAIL: _____

Address: _____

Shipping Address: _____

HOW DID YOU HEAR ABOUT US? _____