

ATTENTION:  
 Jeff Gustafson  
 1818 Pennsylvania Ave. West  
 P.O. Box 308  
 Warren, PA 16365  
 Tel: 800-289-1456 Fax: 814-726-0740  
 E-mail: [jgustafson@superiortire.com](mailto:jgustafson@superiortire.com)  
 Website: [www.superiortire.com](http://www.superiortire.com)



## MOLD-ON TRACK PADS

Machine Mfg \_\_\_\_\_ Model # \_\_\_\_\_

OEM Shoe Part # \_\_\_\_\_ Master Links: Yes/No (circle)

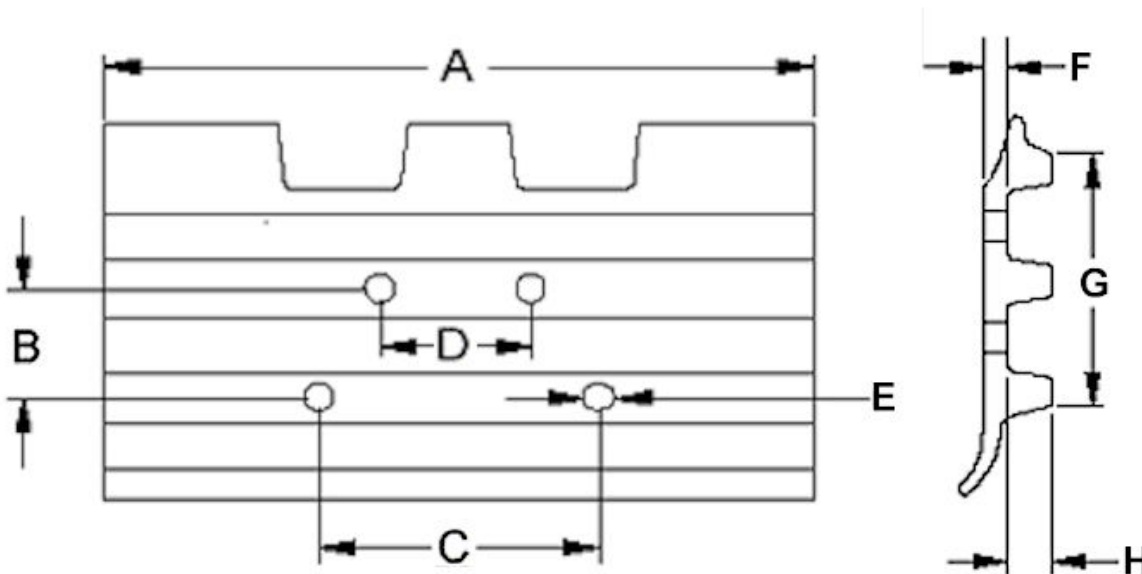
Compound: Rubber \_\_\_\_\_, Rubber w/wire \_\_\_\_\_, Poly (95A) \_\_\_\_\_, Soft Poly (85A) \_\_\_\_\_

Quantity Required \_\_\_\_\_

Mounting Design: Mold-On

### Chain Link & Pad Dimensions (please fill in all dimensions)

Shoe Width	: A _____	Grouser Plate Thickness	: F _____
Shoe Bolt Pattern	: B _____	Grouser Bar Width	: G _____
	: C _____	Shoe Height	: H _____
	: D _____		
Bolt Hole ID	: E _____		



Name \_\_\_\_\_ Company Name \_\_\_\_\_ E-mail: \_\_\_\_\_  
 Tel \_\_\_\_\_ Fax \_\_\_\_\_  
 Mailing Address \_\_\_\_\_  
 Shipping Address \_\_\_\_\_